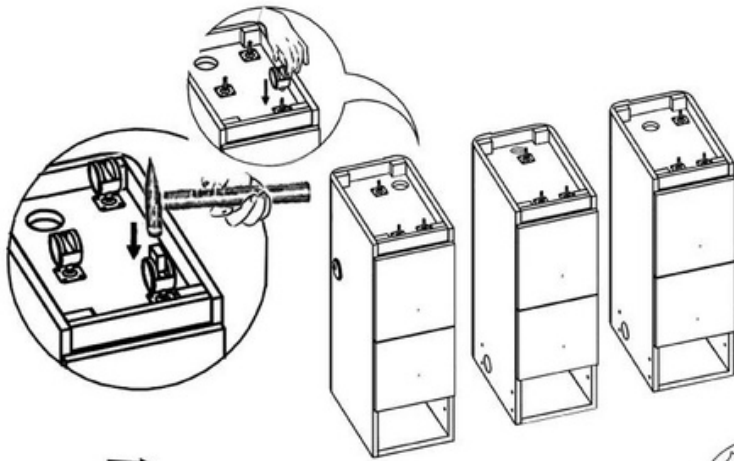
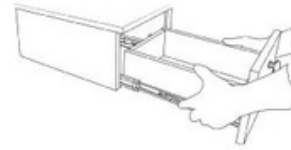


# Double Nail Installation (with 1 UV Hole)

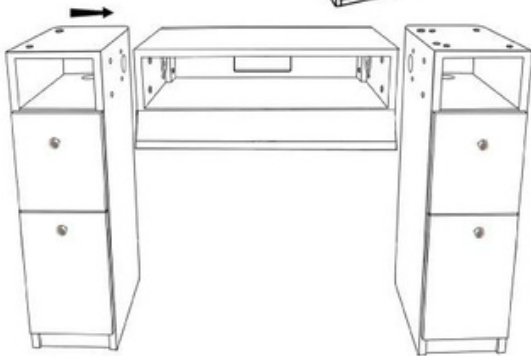


Step 1: Remove drawers from side table



Step 2: Installing wheels

- \_ Flip 3 tables with cabinets upside down
- \_ Installing the wheels to its slot
- \_ Place a small wood piece in between those wheels, use a hammer and gently tap until you hear a click.



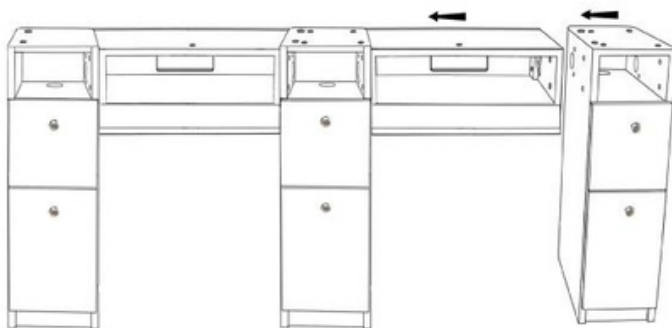
Step 3: Installing table with drawers

- \_ Put together two side cabinet tables with the center table
- \_ Making sure they both fit perfectly



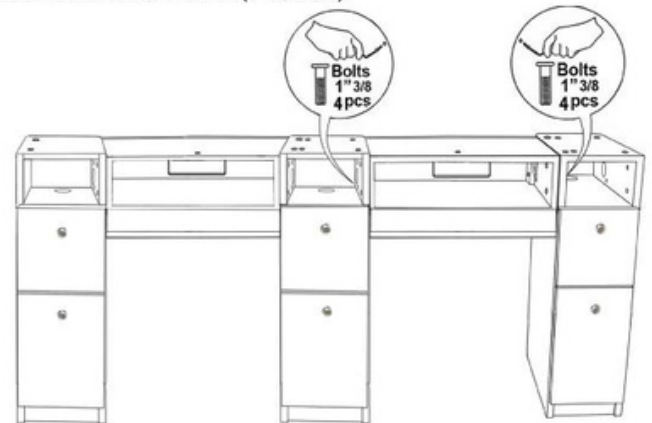
Install Bolts from the inner side flap of the two side drawer tables

- \_ Each side need 4 bolts (1"3/8 x4)



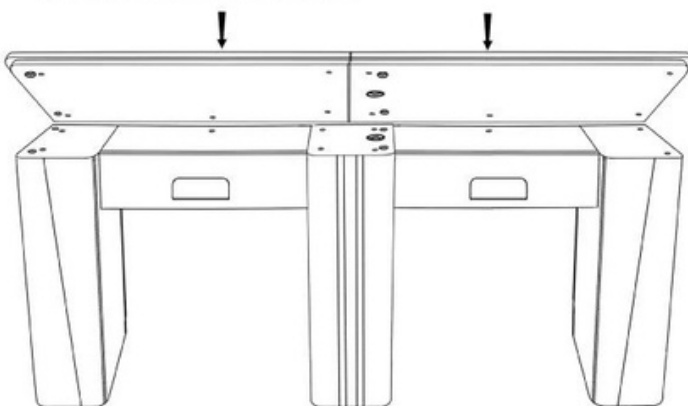
Step 4: Installing right drawer tables

- \_ Install right side face table first then side table with cabinets after.



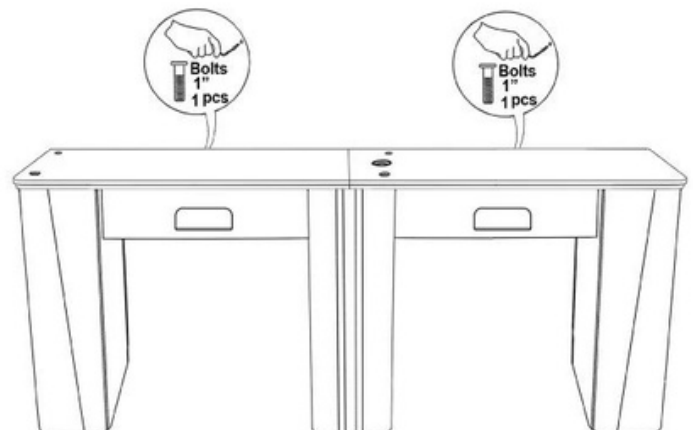
Install Bolts from the inner side flap of the two side cabinet tables

- \_ Each side fit 4 bolts (1"3/8 x4)



Step 5: Installing marble top

- \_ Return Nail table to normal standing position
- \_ Insert drawers then place marble table on top
- \_ Install Bolts from the inner side of the marble tables
- \_ Each marble top fits 4 bolts (1"1/4 x4)

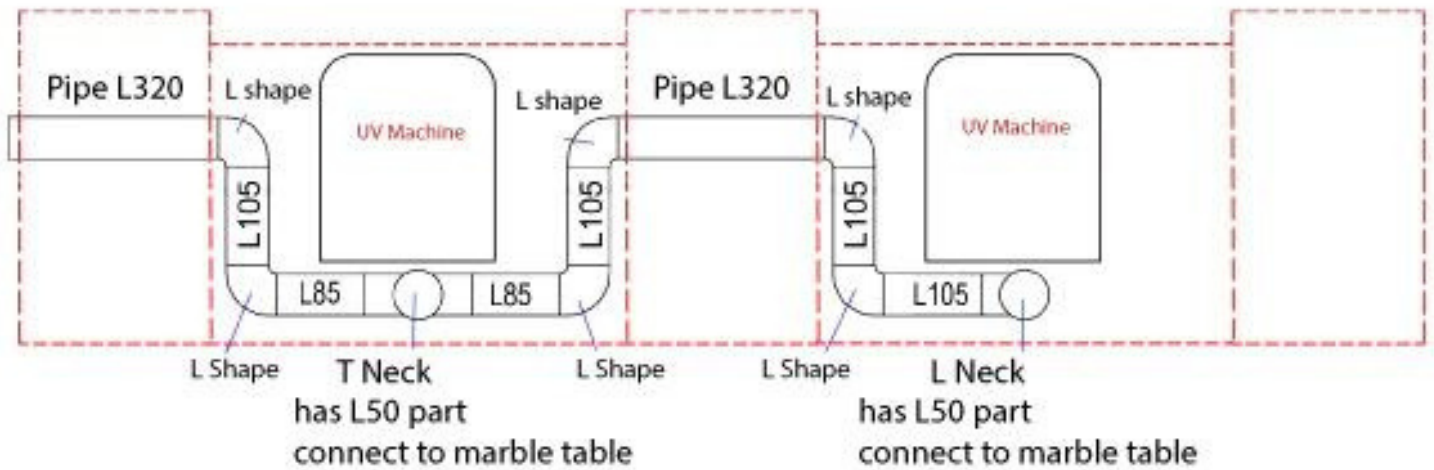


Install Bolts from the innerside of the marble table onto the marble top

- \_ Each side fit 1 bolt (1"1/4 x2)

# Double Nail Pipe Installation (Install UV machine first then install the pipe)

## 1st Method: Left pipe installation



## 2nd Method: Right pipe installation

